

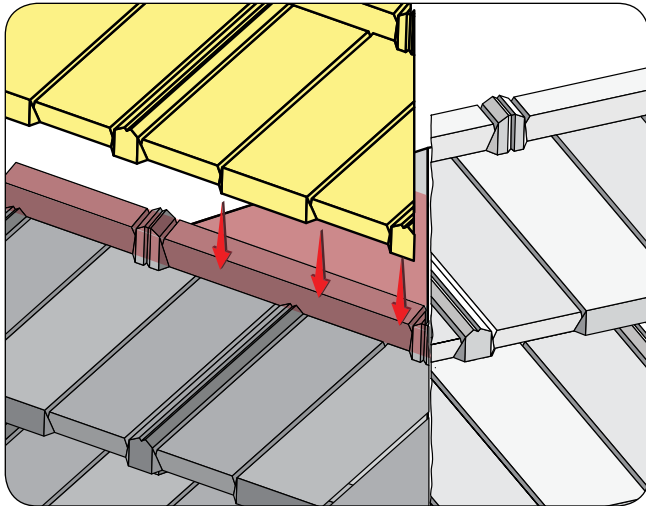


SMART Acc-Batten

Installation Details

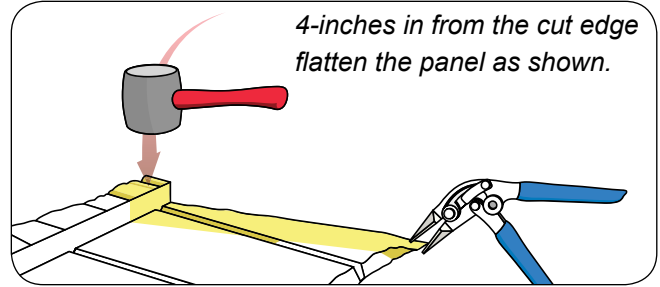
SMART ACCESSORY BATTEN

Use with MetroSHAKE™ and MetroTILE™ only!

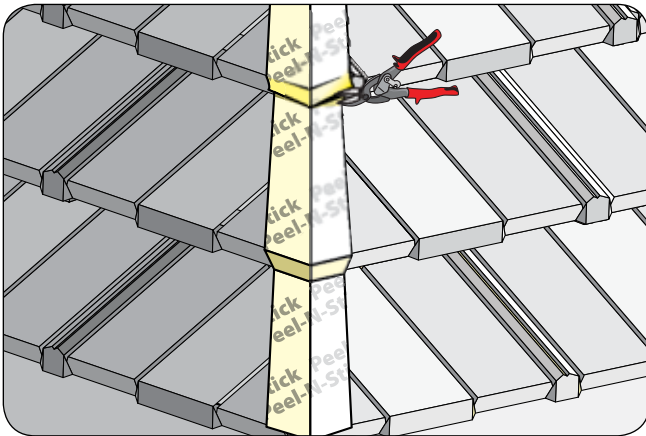


Metro SMART-Acc-Battens use 2-pieces per each 10-foot length of Hip or Ridge.

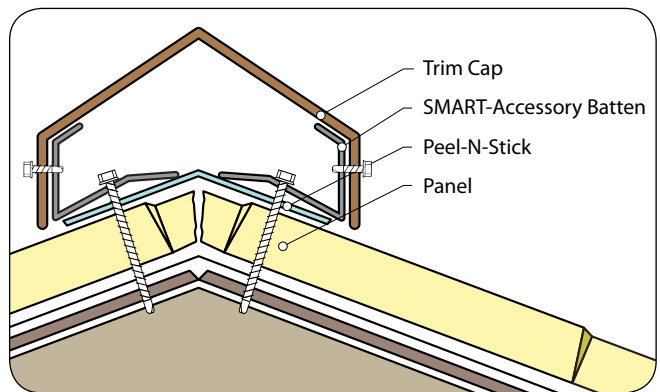
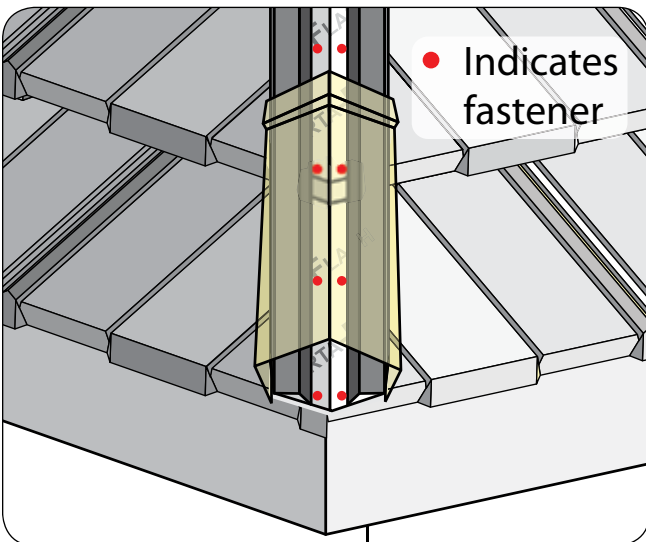
Install Metro Panels (Shake or Tile) and mitre cut each course at the center line of the Hip or Ridge as shown.




Apply a (min-4" wide) strip of Peel-N-Stick material down the entire length of the hip or across the ridge. make sure this material starts at the bottom of the hip and is lapped a Min of 4-inches. At each course line make sure the Peel-N-Stick material is pressed into and forms a complete seal down each side of the hip onto the Metro panels. It may be necessary to snip this material at each course to prevent gaps.



Install the Metro SMART-Acc-Battens down each side of the hip or ridge spaced 6-inches apart and fastened using #10-2" HH screws spaced 12-inches o/c minimum across the ridge or 2 on each course for the hip. As shown.



 **Continuous Ridge Venting cannot be used with the Metro SMART-Acc-Battens. Metro SMART-Vents on one side of the ridge may be used as an alternative.**

