

Porch Rail

Installation Guide

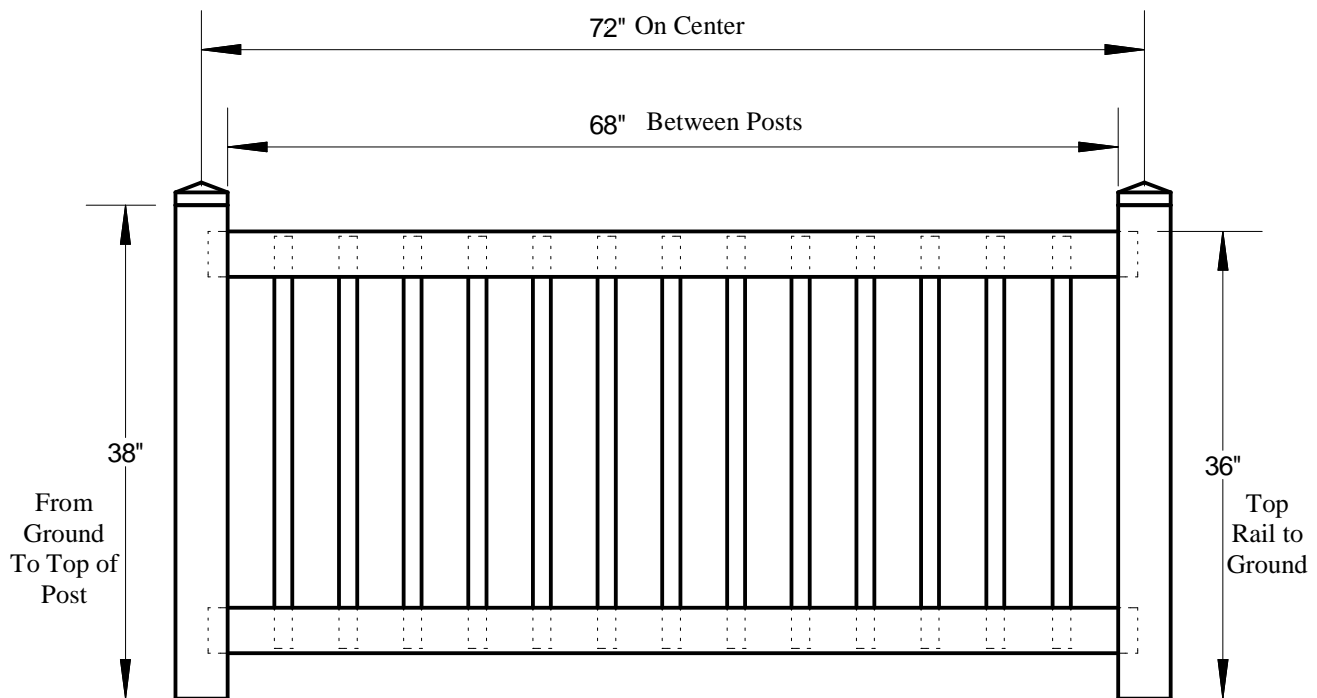


Vinyl Fence, Deck, & Railing

Dyersville, IA 52040

Phone: 1-888-513-5193

www.jamvinyl.com



Drawing shows standard 6' section with 1 3/8" pickets.

Required Materials Per Section

Rails
1 top rail and 1 bottom rail

Pickets
Picket style and quantity as needed per section
Sections will meet building code for less than 4"
spacing requirement

Recommended Tools

- | | |
|-----------------------|---------|
| - Measuring tape | - Level |
| - #2 square drive bit | - Saw |
| - 5/16" nut driver | - Drill |

Custom sized section will change post spacing, rail length, and quantity and spacing of pickets.

Installer is responsible to check compliance with all local building codes.

Be sure to have all underground utilities located if digging

Porch Rail

Installation Guide



Vinyl Fence, Deck, & Railing

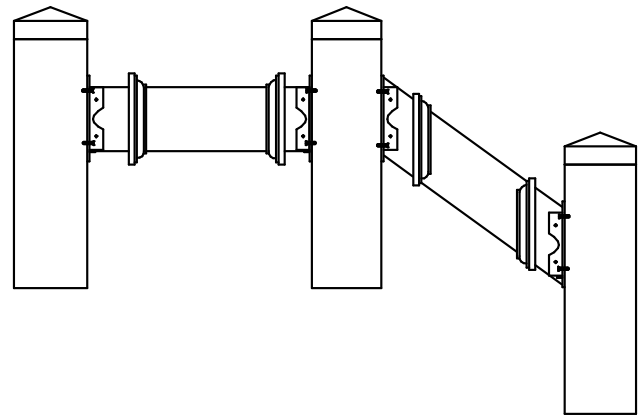
1. Determine all post locations
2. Install all posts using post installation

Routed Rail Installation

1. Insert bottom rail into bottom holes in the posts first one end of the rail then back into the post on the opposite end. Center rail so that the first picket on either end is an equal distance from the post.
2. Glue 3/4" small tabs onto both ends of the rail on the underside of the bottom rail so the rail can not slide into the post.
3. For sections over 6', or if requested by the homeowner, install the foot block by fastening a wall mount bracket to the floor in the center of the bottom rail. Set the open end of the foot block into the wall mount bracket and secure with screws. Glue or screw the bottom rail to the foot block.
4. Set pickets into the bottom rail .
5. Set top rail onto the pickets starting at one end and working to the other.
6. Insert top rail into top hole on one post and back into the other.
7. Center rail between posts. Fasten rail inside posts with 2" x 3" tab by screwing it to the rail tight against the post using self drilling screws from glue tab kit.
8. Glue cap onto post using pvc glue.

Wall mounted Rail Installation

1. Fasten wall mount bracket base to posts with a 1 1/2" wood screw. Be sure that the bottom rail is 3 1/2" above the floor and the top rail is 32 1/2" above the floor.
2. Cut rails as needed to fit between brackets. Allow 1/16" extra space so the rails can move freely. Be sure spacing from the last picket to the bracket is the same on both ends.
3. Slide wall mount bracket trim over ends of rail.
4. Set bottom rail into wall mount brackets with the routed side facing up. Fasten rail to wall mount base with self drilling screws. Make sure rail is seated on the ledge of the base. Stair brackets do not have ledge for the rail to sit on so the rail can be moved up or down to align trim with base.
5. For sections over 6' or if requested by the homeowner install the foot block by fastening a wall mount bracket to the floor in the center of the bottom rail. Set the open end of the foot block into the wall mount bracket and secure with screws. Glue or screw the bottom rail to the foot block.
6. Set pickets into the bottom rail.
7. Set top rail onto the pickets starting at one end and working to the other. Be sure the ends of the rail are inside the wall mount bracket base.
8. Fasten top rail to base with self drilling screws. Make sure rail is seated on the ledge of the base.
9. Slide wall mount bracket trim onto the base until the trim fits tightly against the base.



Tips & FAQ

1. Aluminum reinforcing (when used) is for the top rail.
2. The screws provided with the wall mount brackets are designed for a sleeve over a wood post application. Other applications may require other fasteners.